

Technical Specification

- 220v-240v 50Hz AC
- Output 10W/45W
- Precision temperature control
- One button control 4 settings
- CE/UKCA certified to BS EN60335-2-17 and BS EN62233
- Auto shutdown in event of any failure
- Machine washable cover for hygiene
- 1 year warranty

Maintenance

Seat cover is low maintenance and can be wiped with a dampened cloth to remove marks. It can be washed in a washing machine at 30C (synthetics); remove the loose plastic items and disconnect power cable with controller from cover by pressing retaining clips and withdrawing. **DO NOT WASH CONTROLLER.** Do not tumble dry. It should be left to dry on a rack or on a flat surface. Re-assemble when dry.

Warranty

1 year warranty subject to there being no evidence of misuse.

Caution



Do not use any other than the supplied controller and cables.
Not to be used by very young children (0-3).



When disposing of this product please separate it from other household waste to ensure that it can be recycled in an environmentally sound manner. For more details on collection and proper disposal, please contact your local government office or the retailer where you purchased this product. Proper disposal will prevent possible harm to the environment or to human health.



To find out more about the B-warm heated seat cover please visit our website at www.homeglowproducts.co.uk.

homeglow™

Homeglow Products Ltd., Carreg Afon, Monmouth Road, Usk NP15 1SD
Tel: 01291 672974 www.homeglowproducts.co.uk

PLEASE RETAIN INSTRUCTIONS FOR FUTURE USE

B-Warm

Instructions

Patent No: GB2514123

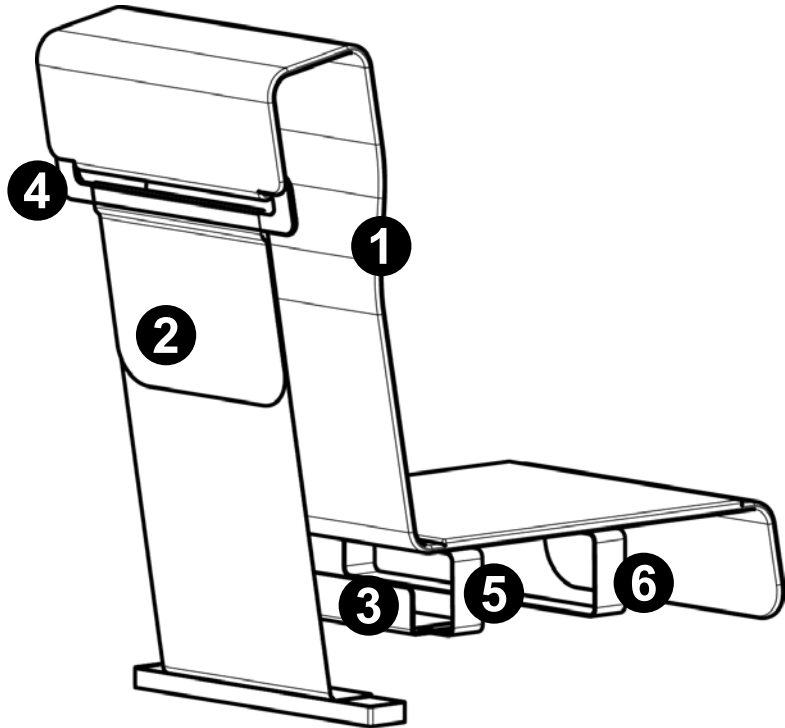
Model No: HGH001

homeglow™

Assembly

The Homeglow Heated Seat Cover will fit on most armchairs and some sofas. Unpack and check following items:

- 1 Main seat cover with controller already connected
- 2 Adjustable back section
- 3 shaped plastic part
- 4 Slotted plastic part
- 5 loose Velcro belt
- 6 attached Velcro belt



1. Slot loose Velcro belt **5** through L shaped part **3** and position with equal lengths either side, with tails' hooks at each end on lower side (on top of cushion – see next instruction).
2. Lift seat cushion and place L shaped part **3** behind cushion with belt straps wrapped over rear of seat cushion with tail Velcro hooks uppermost. Tension lightly and close.
3. Attach second attached Velcro belt **6** around cushion near front – lightly tension and close. Replace cushion.
4. Place main cover **1** on chair with patterned side up with connector position in angle of chair cushion and back. Press firmly down in angle of seat and lumbar to ensure Velcro has engaged between cover and chair.
5. Slot top of main cover **1** through slotted plastic part **4** and close Velcro. Locate over top of chair .
6. Take back section **2**. Attach by looping Velcro straps around chair legs, tension so that back section is central and close loops.
7. Take top of back section **2** and loop through slot in plastic part **4** tension back section lightly and close Velcro.
8. Position front of cover either under cushion or leave over end of chair.

Operating

1. **Ensure cable with controller is connected firmly to heated seat cover socket before you plug into the mains supply.**
2. Insert plug to mains power supply and switch on.
2. Ensure cables are positioned safely to avoid hazards.
3. Press controller button to select one of the four settings indicated by coloured LEDs. Lowest setting is green, highest red. To switch off or set another setting repeatedly press button to select. Heat setting will be fast to respond and will hold temperature selected very accurately.
4. Unit will switch off automatically after 4 hours and can be reset for further 4 hour period.